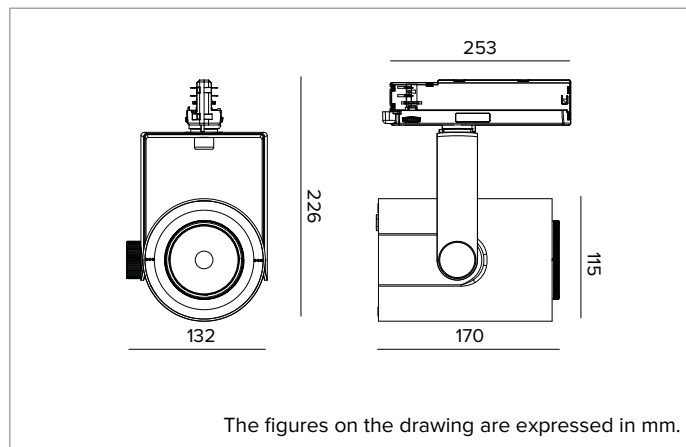


T034ZMS940DAPW | RAY 115 ZOOM

Professional adjustable LED projector with a variable light beam opening



The fixture's photometric values can be found on the following pages



SOURCE

High efficiency Chip on Board LED Ra90. Ra97 on request.

Energy efficiency class: E

Nominal power: 26W

Nominal flux: 3302lm

Colour rendering index: 90

Rf: 90

Rg: 98

CCT nominal: 4000K

Lifetime (L80/B10): >50000h tq +25°C

ILLUMINOTECHNICAL CHARACTERISTICS

ZOOM SMART version: optic composed of two PMMA elements working together, a fixed TIR primary lens and a secondary adjustable one. Rotation of the second lens of just 14° covers the zoom range between minimum and maximum opening.

Optic: LENS

Beam angles: SP-MWFL

Optical efficiency: See photometries

Fixture flux: See photometries

Luminous efficacy: See photometries

Photobiological safety: Compliant with RG1 low risk group

MECHANICAL CHARACTERISTICS

Painted die-cast aluminium body. Black painted polycarbonate front ring. Adjustable from 0° to -90° on the vertical plane and 359° on the horizontal plane. Mechanical beam locking system on the vertical plane and friction beam locking system on the horizontal plane. The centre of gravity always remains in axis with the track regardless of the aiming.

Colour and finish: Plaster white

Dimensions: 115

Weight: 1.2Kg

Version: ZOOM SMART

Degree of protection: IP20

ELECTRICAL CHARACTERISTICS

DALI electronic driver integrated into the track adapter.

Fixture Power: 30W

Power supply: 220-240Vac 50/60Hz

Insulation Class: CLASS 2

Type of driver / Control: DALI

Driver included: YES

Class F: YES

SAFE FLICKER: PstLM=<1 and SVM=<0.4 (IEC TR 61547-1 and IEC TR 63158), to ensure a more comfortable and safe light

Ambient temperature: 0°C / +25°C

INSTALLATION

Electrified track mounting.

WARRANTY

5 years.

WARNING

Luminaire designed for disposal/recycling at end-of-life. Replaceable (LED only) light source by a professional. Replaceable control gear by a professional.

Due to the technological evolution of the electronic components, the data provided may be updated, and as such, confirmation must be requested during the order process.

Luminous flux and power supply have +/-10% tolerances with respect to the indicated value. tq +25°C (CIE 121).

We reserve the right to make technical changes.

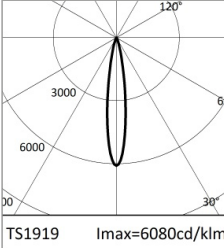
Targetti Sankey S.r.l.
Via Pratese, 164
50145 Firenze - Italy
Tel: +39 055 37911
targetti.com
targetti@targetti.com

CCIAA Firenze
Share Capital:
€ 500.000,00
VAT N. (IT):
01537660480
R.E.A: FI-275656

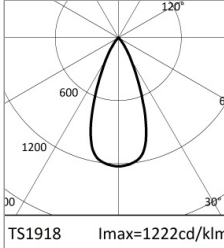
TARGETTI

T034ZMS940DAPW | RAY 115 ZOOM

Professional adjustable LED projector with a variable light beam opening



	4000K	H(m)	D(m)	Emax(lx)		
	Ra90		16°			
Fixture Power	30W	1	0.28	20075		
Source Flux	3302lm	2	0.57	5019		
Fixture Flux	2346lm	3	0.85	2231		
Efficacy	79lm/W	4	1.13	1255		
TS1919	Imax=6080cd/klm	Imax	20075cd	5	1.42	803



	4000K	H(m)	D(m)	Emax(lx)		
	Ra90		43°			
Fixture Power	30W	1	0.79	4036		
Source Flux	3302lm	2	1.58	1009		
Fixture Flux	2272lm	3	2.37	448		
Efficacy	77lm/W	4	3.16	252		
TS1918	Imax=1222cd/klm	Imax	4036cd	5	3.96	161

SP

Fixture flux	2346lm
Luminous efficacy	80lm/W
Optical efficiency	71%

FL

Fixture flux	2272lm
Luminous efficacy	77lm/W
Optical efficiency	69%

Due to the technological evolution of the electronic components, the data provided may be updated, and as such, confirmation must be requested during the order process.

Luminous flux and power supply have +/-10% tolerances with respect to the indicated value. tq +25°C (CIE 121).

We reserve the right to make technical changes.

Targetti Sankey S.r.l.
Via Pratese, 164
50145 Firenze - Italy
Tel: +39 055 37911
targetti.com
targetti@targetti.com

CCIAA Firenze
Share Capital:
€ 500.000,00
VAT N. (IT):
01537660480
R.E.A.: FI-275656

TARGETTI